
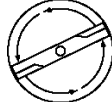


Jonsered

SERVICE 		5
		I0400056

IPL, LT2118 CMA, 2004-06, 106 31 67-62

J2118CMAB

LT2118 CMA

Spare parts

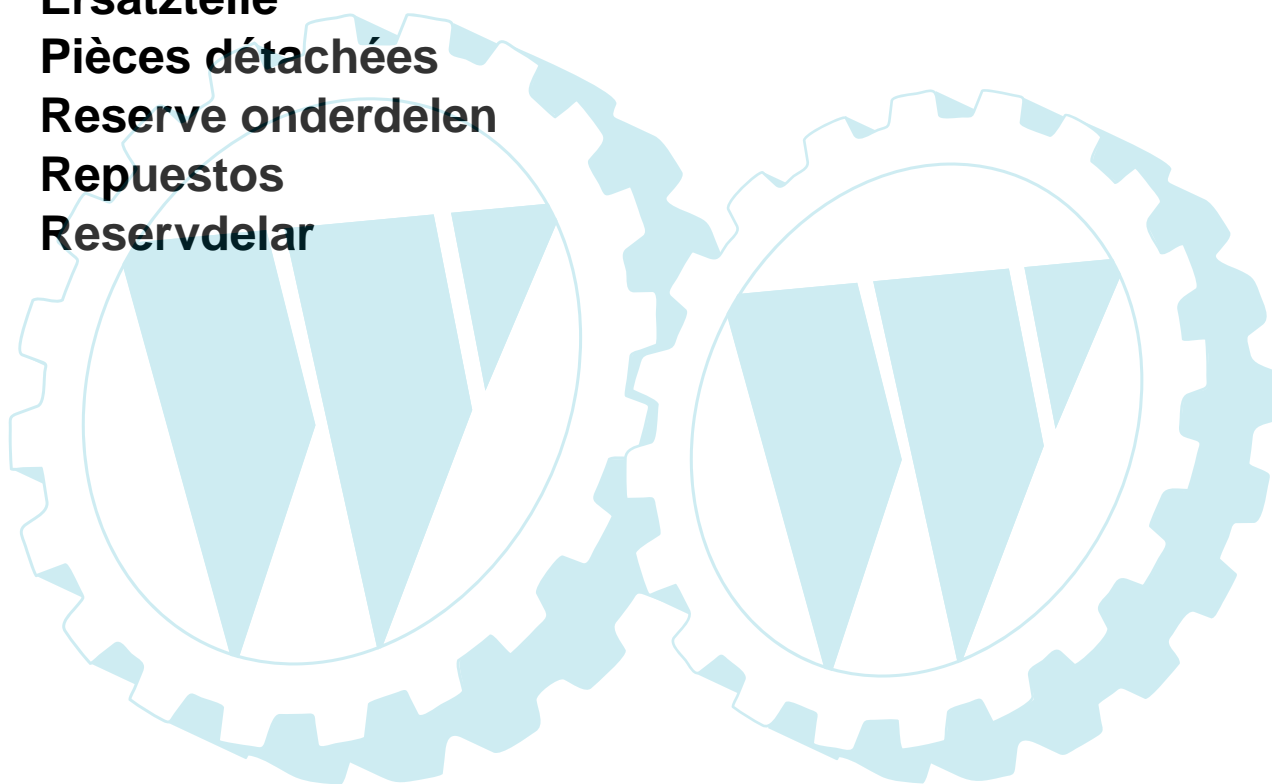
Ersatzteile

Pièces détachées

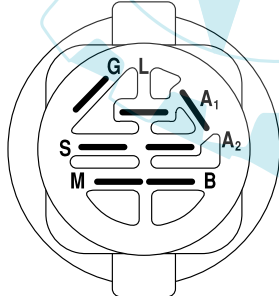
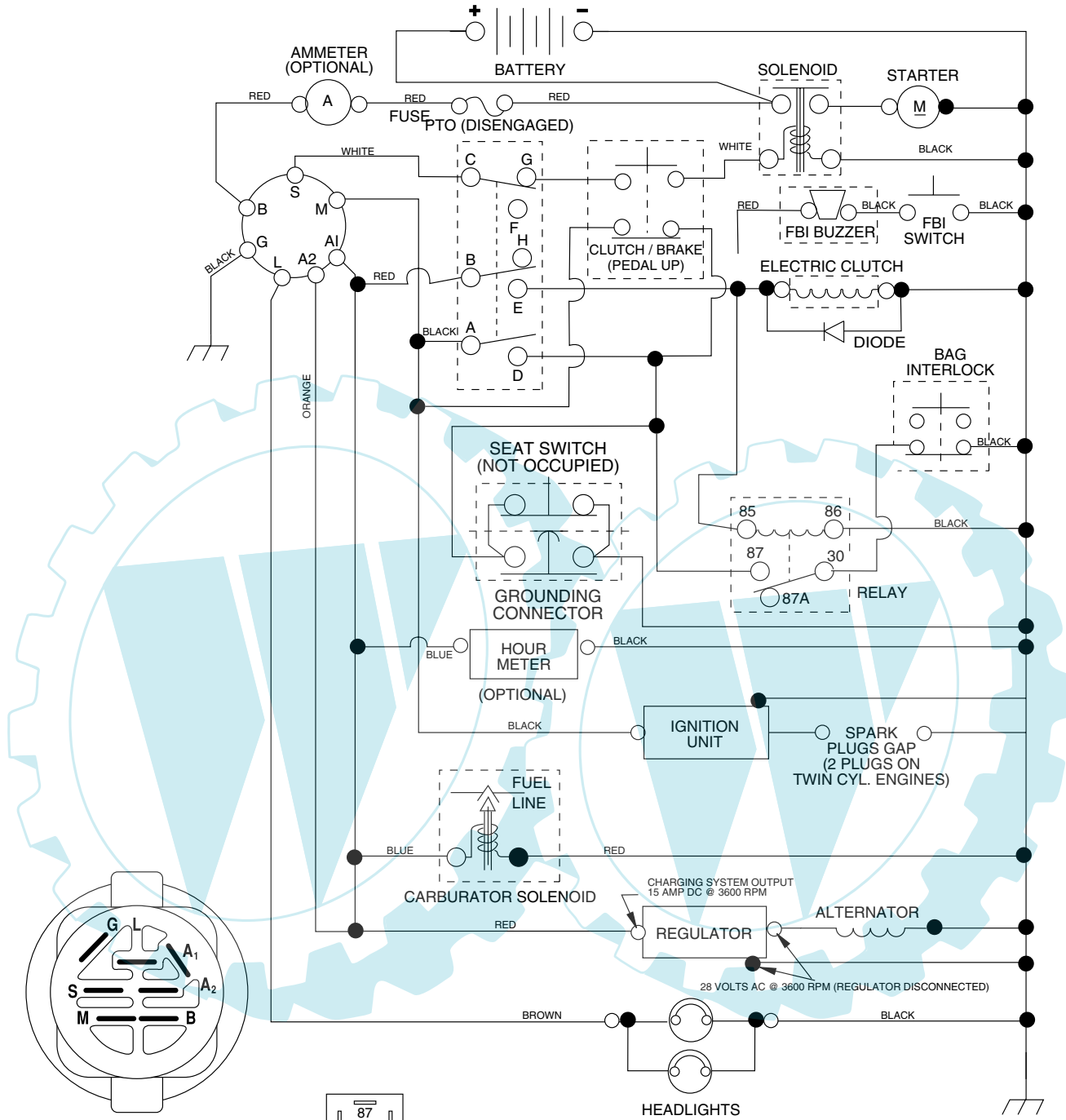
Reserve onderdelen

Repuestos

Reservdelar



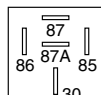
**TRACTOR- -MODEL NO. LT2118CMA (J2118CMAB), PRODUCT NO. 954 13 02-17
SCHEMATIC**



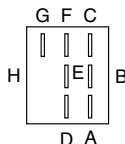
IGNITION SWITCH

POSITION	CIRCUIT	"MAKE"
OFF	M+G+A1	NONE
RUN/LIGHT	B+A1	A2+L
RUN	B+A1	NONE
START	B + S + A1	NONE

WIRING INSULATED CLIPS
NOTE: IF WIRING INSULATED CLIPS WERE REMOVED FOR SERVICING OF UNIT, THEY SHOULD BE REPLACED TO PROPERLY SECURE YOUR WIRING.



RELAY



PTO SWITCH

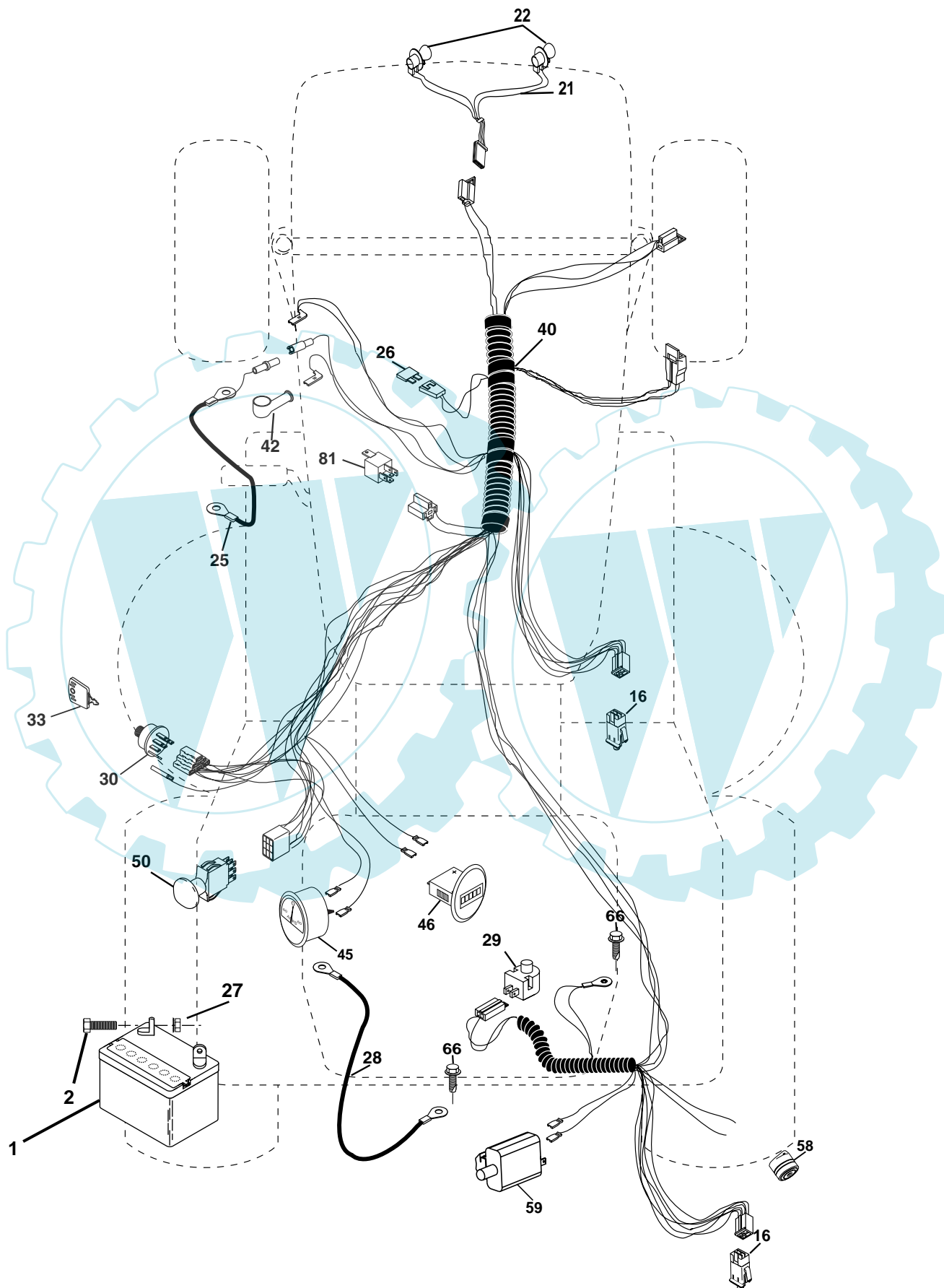
POSITION	CIRCUIT
OFF	C + G, B + H
ON	C + F, B + E, A + D

NON-REMOVABLE CONNECTIONS

REMOVABLE CONNECTIONS

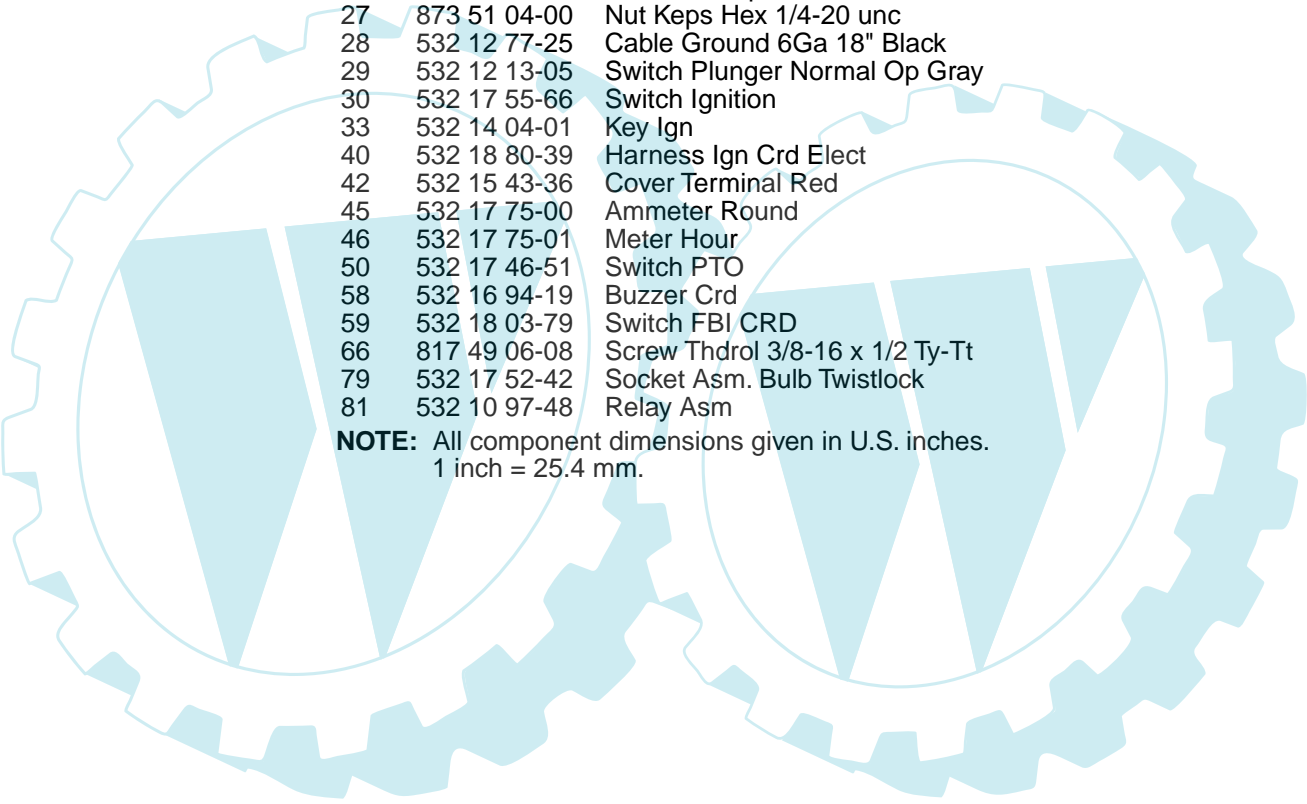
REPAIR PARTS

TRACTOR- -MODEL NO. LT2118CMA (J2118CMAB), PRODUCT NO. 954 13 02-17
ELECTRICAL



REPAIR PARTS

TRACTOR- -MODEL NO. LT2118CMA (J2118CMAB), PRODUCT NO. 954 13 02-17
ELECTRICAL

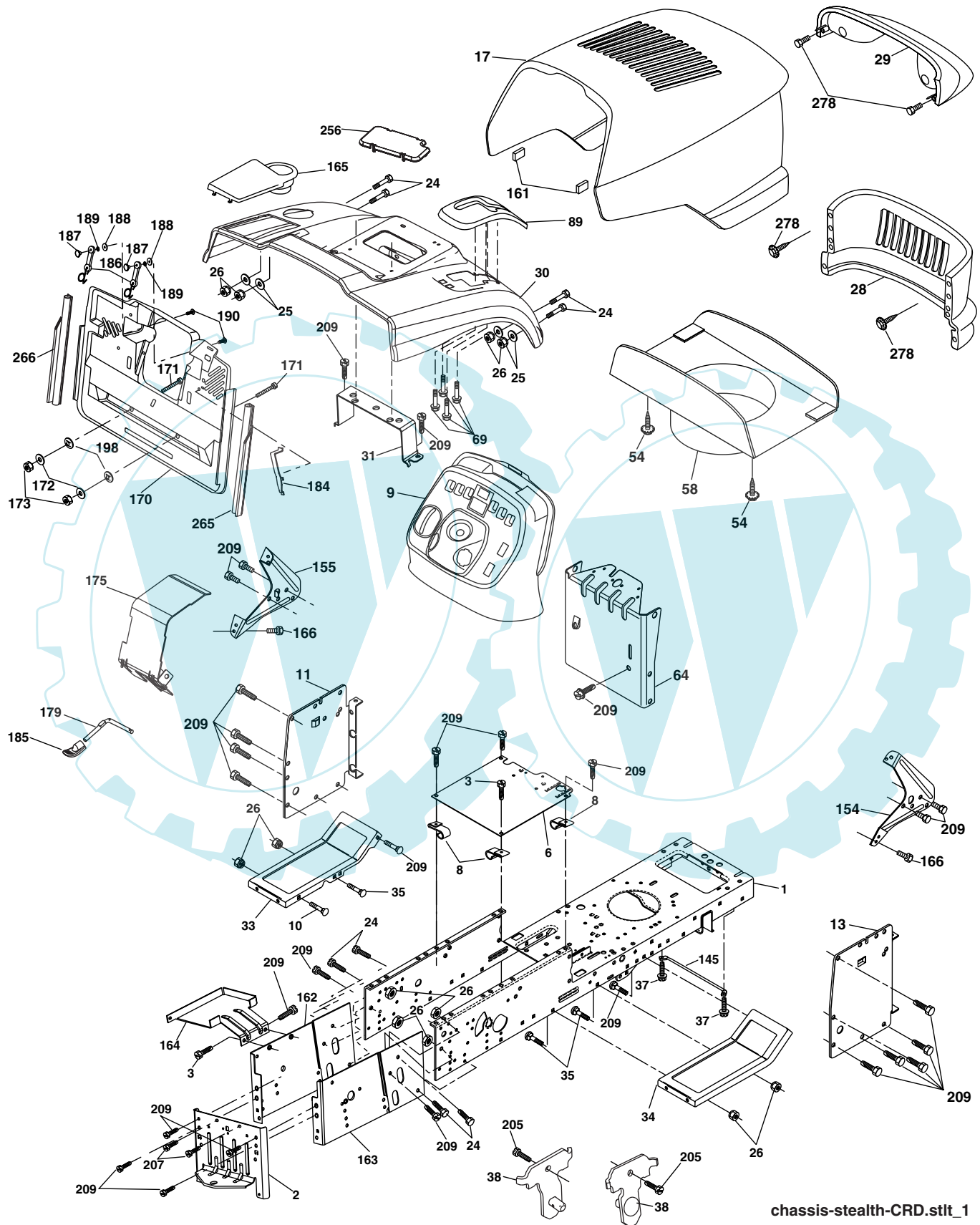


KEY NO.	PART NO.	DESCRIPTION
1	532 14 49-27	Battery
2	874 76 04-12	Bolt Hex Hd 1/4-20 unc x 3/4
16	532 17 61-38	Switch Interlock Push-In
21	532 17 56-88	Harness Asm Light W/4152J
22	532 0041-52	Bulb Light #1156
25	532 18 85-44	Cable Battery
26	532 17 51-58	Fuse 20 Amp
27	873 51 04-00	Nut Keps Hex 1/4-20 unc
28	532 12 77-25	Cable Ground 6Ga 18" Black
29	532 12 13-05	Switch Plunger Normal Op Gray
30	532 17 55-66	Switch Ignition
33	532 14 04-01	Key Ign
40	532 18 80-39	Harness Ign Crd Elect
42	532 15 43-36	Cover Terminal Red
45	532 17 75-00	Ammeter Round
46	532 17 75-01	Meter Hour
50	532 17 46-51	Switch PTO
58	532 16 94-19	Buzzer Crd
59	532 18 03-79	Switch FBI CRD
66	817 49 06-08	Screw Thdrol 3/8-16 x 1/2 Ty-Tt
79	532 17 52-42	Socket Asm. Bulb Twistlock
81	532 10 97-48	Relay Asm

NOTE: All component dimensions given in U.S. inches.
1 inch = 25.4 mm.

REPAIR PARTS

TRACTOR- -MODEL NO. LT2118CMA (J2118CMAB), PRODUCT NO. 954 13 02-17
CHASSIS AND ENCLOSURES



chassis-stealth-CRD.stlt_1

REPAIR PARTS

TRACTOR- -MODEL NO. LT2118CMA (J2118CMAB), PRODUCT NO. 954 13 02-17 CHASSIS AND ENCLOSURES

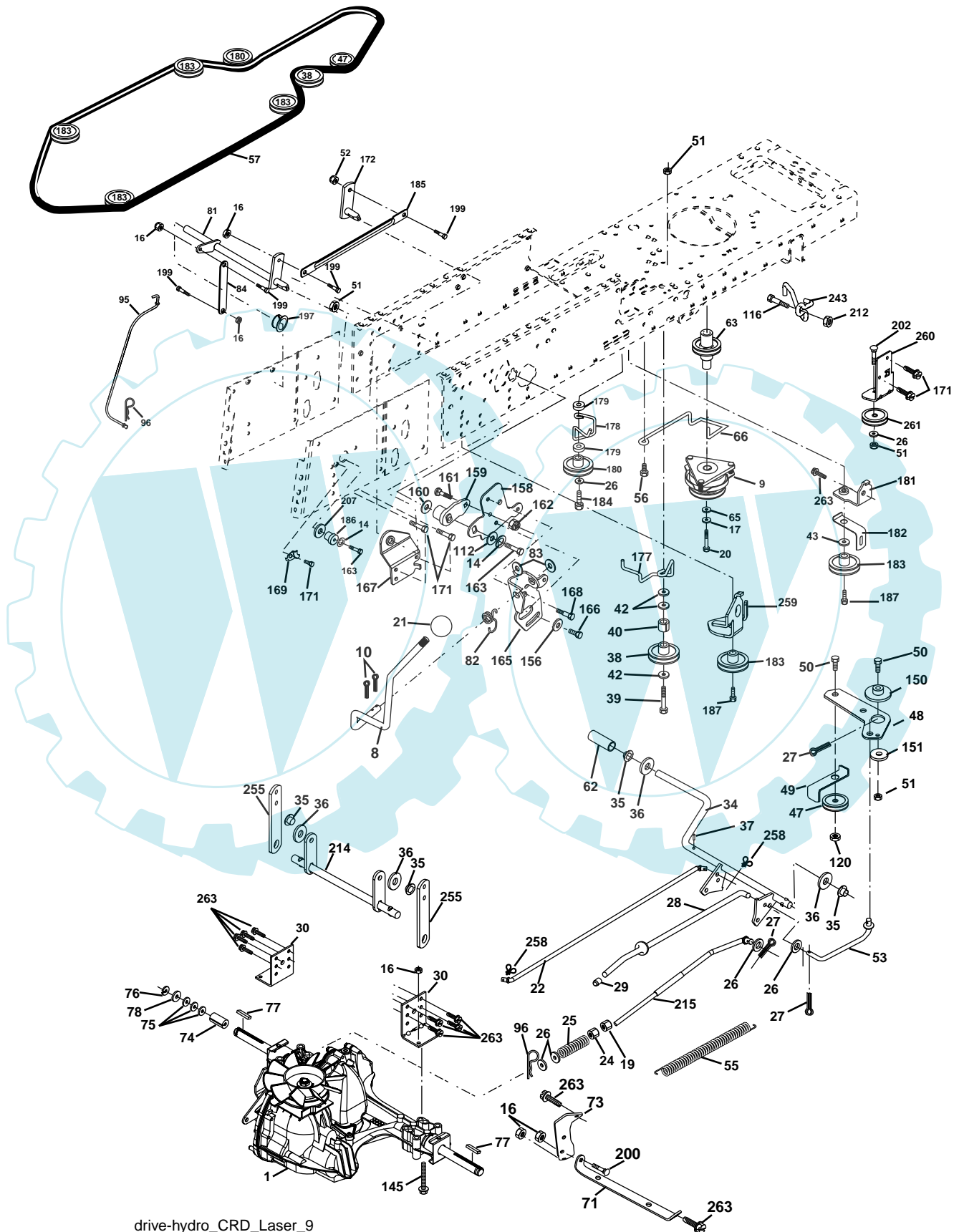
KEY NO.	PART NO.	DESCRIPTION	KEY NO.	PART NO.	DESCRIPTION
1	532 17 46-20	Chassis	162	532 18 03-82	Bracket Exten Chassis Lh CRD
2	532 18 03-84	Drawbar	163	532 18 03-83	Bracket Exten Chassis Rh CRD
3	817 06 06-12	Screw 3/8-16 x 3/4	164	532 16 56-05	Support Battery CRD
6	532 18 44-19	Saddle	165	532 18 13-56	Cover Battery
8	532 12 64-71	Clip Insulator 13/32 Mtg. Hole	166	532 17 18-75	Screw HwHd Hi-Lo #13-16 x 3/4
9	532 19 13-39	Dash	170	532 17 88-62	Backplate CRD
10	872 14 06-08	Bolt, Carriage 3/8-16 x 1	171	872 14 06-20	Bolt Rdhd Sqnk 3/8-16 x 2-1/2 Gr. 5
11	532 16 72-03	Panel, Dash, L.H.	172	819 13 20-16	Washer 13/32 x 1-1/4 x 16 Ga.
13	532 17 82-98	Panel, Asm. Dash R.H.	173	873 51 06-00	Nut, Keps Hex 3/8-16 unc
17	532 18 13-51	Hood	175	532 18 82-03	Guard Trap
24	874 78 06-16	Bolt	179	532 18 82-02	Rod Pivot FBI CRD
25	819 13 13-12	Washer 13/32 x 13/16 x 12 Ga.	184	532 17 46-62	Bracket Actuator Bagger CRD
26	873 80 06-00	Nut	185	532 18 11-01	Knob Rod Brake Parking
28	532 18 13-52	Grille	186	532 16 07-93	Latch Asm Mulch/Bagger
29	532 16 18-40	Lens, Grille	187	532 12 50-04	Nut Weld
30	532 18 13-59	Fender	188	819 06 12-16	Washer #10
31	532 16 51-56	Bracket, Fender Support	189	810 07 10-00	Washer Lock #10
33	532 18 11-93	Footrest, L.H.	190	871 08 10-10	Screw Pan Hd Phillip 10-24 x 5/8
34	532 18 11-94	Footrest, R.H.	198	532 16 89-37	Nut, Push
35	872 11 06-06	Bolt	205	817 49 06-08	Screw Thdrol 3/8-16 x 1/2
37	817 49 05-08	Screw Thdrol 5/16-18 x 1/2 TYT	207	817 67 05-08	Screw Thdrol 5/16-18 x 1/2
38	532 18 17-48	Bracket Asm Pivot Mower Rear	209	817 00 06-12	Screw Hex Wsh Thdrol 3/8-16
54	532 1614-64	Screw Hex WsHd 8-18 x 7/8	256	532 18 13-61	Cover Fender Rack CRD
58	532 17 53-51	Duct Air Engine	265	532 18 57-04	Seal RH Side Bagger
64	532 18 43-40	Bracket, Lower dash	266	532 18 57-03	Seal LH Side Bagger
69	532 14 24-32	Screw Hex Wsh	278	532 19 16-11	Screw 10 x 3/4 Single Lead-Hex
89	532 18 13-60	Console			
145	532 15 65-24	Rod Pivot Chassis/Hood			
154	532 18 39-25	Bracket, RH Dash			
155	532 18 39-26	Bracket, LH Dash			
161	532 16 46-55	Bumper Extrusion			

NOTE: All component dimensions given in U.S. inches.
1 inch = 25.4 mm.

REPAIR PARTS

TRACTOR- -MODEL NO. LT2118CMA (J2118CMAB), PRODUCT NO. 954 13 02-17

DRIVE



drive-hydro_CRD_Laser_9

REPAIR PARTS

TRACTOR- -MODEL NO. LT2118CMA (J2118CMAB), PRODUCT NO. 954 13 02-17 DRIVE

KEY NO.	PART NO.	DESCRIPTION	KEY NO.	PART NO.	DESCRIPTION
1	-----	Transaxle Hydro Gear 321-0510 (Order parts from transaxle manufacturer)	84	532 17 00-07	Link, Transaxle
8	532 16 56-19	Rod, Shift Fender Adjust Lt	95	532 17 00-15	Control Asm Bypass Hydro Spring, Retainer 1"
9	532 18 02-20	Clutch Ele	96	532 12 47-88	Washer 9/32 x 3/4 x 10 Ga.
10	876 02 04-16	Pin, Cotter 1/8 x 1	112	819 09 12-10	Washer 9/32 x 3/4 x 10 Ga.
14	810 04 04-00	Washer, Lock Hvy Helical	116	872 14 06-08	Bolt RdHd Sqnk 3/8-16
16	873 80 05-00	Nut, Lock Hex w/Ins 5/16-18 unc	120	873 90 06-00	Nut Lock Flg. 3/8-16 unc
17	810 04 07-00	Washer Lock Hvy Hlcl 7/16	145	874 49 05-44	Bolt Hex FGHD 5/16-18 x Gr 5
19	873 80 06-00	Nut Lock Hex w/Insert 3/8-16 unc	150	532 16 58-50	Bushing, Bellcrank Grnd Dr
20	532 17 39-37	Bolt, Hex 7/16-20 x 4	151	819 13 32-10	Washer 13/32 x 2 x 10 Ga.
21	532 13 05-64	Knob Deluxe	156	532 16 60-02	Washer Srrted 5/16 ID x 1.125
22	532 17 56-07	Rod, Brake	158	532 16 55-89	Bracket Shift Mount
24	873 35 06-00	Nut	159	532 18 39-00	Hub Tapered Flange Shift Lt
25	532 10 68-88	Spring, Rod, Brake	160	819 29 20-16	Washer 29/32 x 1-1/4 x 16 Ga.
26	819 13 13-16	Washer 13/32 x 13/16 x 16 Ga.	161	872 14 04-06	Bolt Rdhd Sqnk 1/4-20 x 3/4 Gr 5
27	876 02 04-12	Pin, Cotter 1/8 x 3/4	162	873 68 04-00	Nut Crownlock 1/4-20 unc
28	532 17 57-65	Rod, Parking Brake	163	874 78 04-16	Bolt Hex Fin 1/4-20 unc x 1 Gr 5
29	532 07 16-73	Cap, Parking Brake	165	532 16 56-23	Bracket Pivot Lever
30	532 16 95-92	Bracket, Mfg. Transaxle	166	817 49 05-10	Screw 5/16-18 x 5/8
34	532 17 55-78	Shaft, Asm Pedal Foot CRD	167	532 16 55-88	Bracket Support Shift CRD
35	532 12 01-83	Bearing, Nylon	168	532 16 54-92	Bolt Shoulder 5/16-18 x .561
36	819 21 16-16	Washer 21/32 x 1 x 16 Ga.	169	532 16 55-80	Plate Fastening Lt
37	532 12 49-63	Pin, Roll 3/16 x 1"	171	817 49 06-08	Screw Thdrol 3/8-16 x 1/2 Ty-Tt
38	532 16 59-36	Pulley Flat Composite 3.06"	172	532 17 02-71	Shaft Asm Shifter Frt CRD
39	874 76 06-44	Bolt Fin Hex 3/8-16 unc x 2-3/4	177	532 16 59-32	Keeper Flat Idler 3.06" CRD
40	532 12 49-65	Spacer, Split 395 x 59 Bzp	178	532 16 59-33	Keeper Belt Idler 1.88" CRD
42	819 13 13-12	Washer 13/32 x 13/16 x 12 Ga.	179	532 12 09-58	Washer Sintered
43	819 11 10-12	Washer 11/32 x 5/8 x 12 Ga.	180	532 16 56-30	Pulley, Idler, Flat 1.88"CRD
47	532 12 77-83	Pulley, Idler, V Groove Plasic	181	532 18 02-11	Bracket Idler Ground Drive CRD
48	532 15 44-07	Bellcrank Clutch Grnd Drv	182	532 18 26-82	Keeper Belt 2.5" Od V-Idler CRD
49	532 12 32-05	Retainer, Belt Style Spring	183	532 18 60-07	Pulley V-Idler 2.50" Od CRD
50	872 11 06-12	Bolt Carr. Sh. 3/8-16 x 1-1/2 Gr. 5	184	817 49 06-44	Screw Hexwsh Thdrol 3/8-16 x 2-3/4
51	873 68 06-00	Nut, Crownlock 3/8-16 unc	185	532 17 00-08	Link Shift
52	873 6805-00	Nut Crownlock 5/16-18	186	532 16 56-14	Hub Tapered Round CRD
53	532 10 57-10	Link, Clutch 7.66	187	817 58 05-20	Screw Thdrol 5/16-18 x 1.25
55	532 10 57-09	Spring, Return, Clutch	197	532 16 96-13	Nyliner Snap-In 5/8
56	817 06 06-20	Screw 3/8-16 x 1-1/4	199	532 16 96-12	Bolt Shoulder 5/16-18 unc
57	532 17 01-40	V-Belt Kev 112" 0650 CRD	200	872 14 05-08	Bolt RDHD SQNK 5/16-18 x 1
62	532 12 48-72	Cover, Pedal	202	872 11 06-14	Bolt Carr. Sh. 3/8-16 x 1-3/4 Gr. 5
63	532 18 03-97	Pulley, Engine	207	532 16 98-45	Washer Nylon Rear
65	532 12 61-97	Washer	212	532 14 52-12	Nut Hex Flange Lock
66	532 15 47-78	Keeper, Belt Engine F-Proof	214	532 17 56-09	Shaft Asm. Brake
71	532 16 91-83	Strap, Torque, Lh	215	532 17 56-52	Rod Brake Hydro
73	532 16 91-82	Strap, Torque, Rh	243	532 17 82-89	Bracket Anti Rotation
74	532 13 70-57	Spacer, Split	255	532 17 56-08	Brace Shaft Brake Mtg.
75	532 12 17-49	Washer 25/32 x 1-1/4 x 16 Ga.	258	532 17 80-62	Clip Retainer
76	812 00 00-01	Ring, E	259	532 18 02-12	Bracket Pulley
77	532 12 35-83	Key, Square	260	532 18 17-81	Bracket Idler Chassis
78	532 12 17-48	Washer 25/32 x 1-5/8 x 16 Ga.	261	532 13 14-94	Pulley Idler Flat
81	532 17 00-06	Asm, Shaft	263	817 00 06-12	Screw Hx Wsh Thdrol 3/8-16 x 3/4
82	532 16 57-11	Spring, Torsion			
83	819 17 12-16	Washer 17/32 x 3/4 x 16 Ga.			

NOTE: All component dimensions given in U.S. inches
1 inch = 25.4 mm

REPAIR PARTS

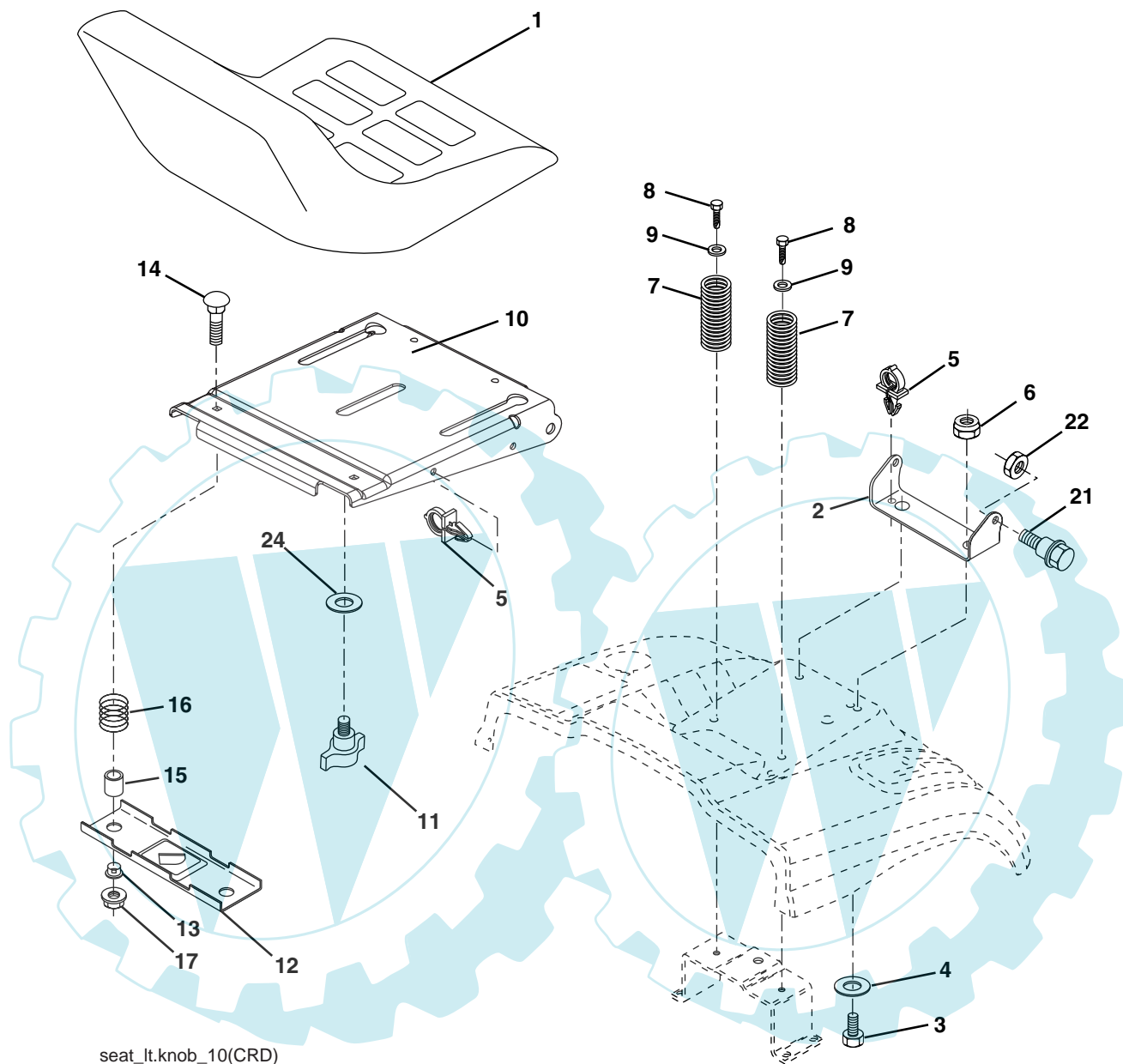
TRACTOR- -MODEL NO. LT2118CMA (J2118CMAB), PRODUCT NO. 954 13 02-17
STEERING ASSEMBLY

KEY NO.	PART NO.	DESCRIPTION
1	532 17 20-92	Steering Wheel
2	532 18 47-06	Front Axle Assembly
3	532 16 98-40	Spindle Assembly, L.H.
4	532 16 98-39	Spindle Assembly, R.H.
5	532 12 49-31	Bearing, Race, Thrust, Hardened
6	532 12 17-48	Washer 25/32 x 1-5/8 x 16 Ga.
8	812 00 00-29	Ring, Klip
10	532 17 51-21	Link, Drag
11	810 04 06-00	Washer, Lock
12	873 94 08-00	Nut Hex Jam Toplock 1/2-20 unf
13	532 13 65-18	Spacer Axle
15	532 14 52-12	Nut Hex Flange Lock
17	532 17 78-83	Shaft Assembly, Steering
29	817 00 06-12	Screw 3/8-16 x 3/4
32	532 17 18-88	Rod, Tie
33	819 11 12-16	Washer 11/32 x 3/4 x 16 Ga.
34	810 04 05-00	Washer Lock Hvy Hlcl Spr 5/16
35	873 54 05-00	Crownlock Nut 5/16-24 unf
36	532 14 52-07	Bushing, Steering
37	532 15 29-27	Screw TT #10-32 x 5 x 3/8 Flange
38	532 17 20-93	Cap Wheel Steer
39	819 18 24-11	Washer 9/16 ID x 1-1/2 OD 11 Ga.
40	873 54 06-00	Nut Crownlock 3/8-24
41	532 15 99-45	Adaptor, Steering Wheel
42	532 17 71-49	Boot, Steering Dash
43	532 12 17-49	Washer 25/32 x 1-1/4 x 16 Ga.
46	532 12 12-32	Cap, Spindle
65	532 16 03-67	Spacer Axle
67	872 11 06-18	Bolt Rdhd Sq 3/8-16 x 2-1/4
68	532 16 98-27	Brace Axle
71	532 17 51-46	Steering Asm.
73	532 18 14-49	Extension Steering
82	532 16 98-35	Bracket Susp. Chassis Front
87	532 17 39-66	Washer Flat .781 x 1-1/2 x .14
88	532 17 51-18	Bolt Shoulder 7/16-20 unc
91	532 17 55-53	Clip Steering
95	532 18 89-67	Washer

NOTE: All component dimensions given in U.S. inches.
1 inch = 25.4 mm.

REPAIR PARTS

TRACTOR- -MODEL NO. LT2118CMA (J2118CMAB), PRODUCT NO. 954 13 02-17
SEAT ASSEMBLY



seat_lt.knob_10(CRD)

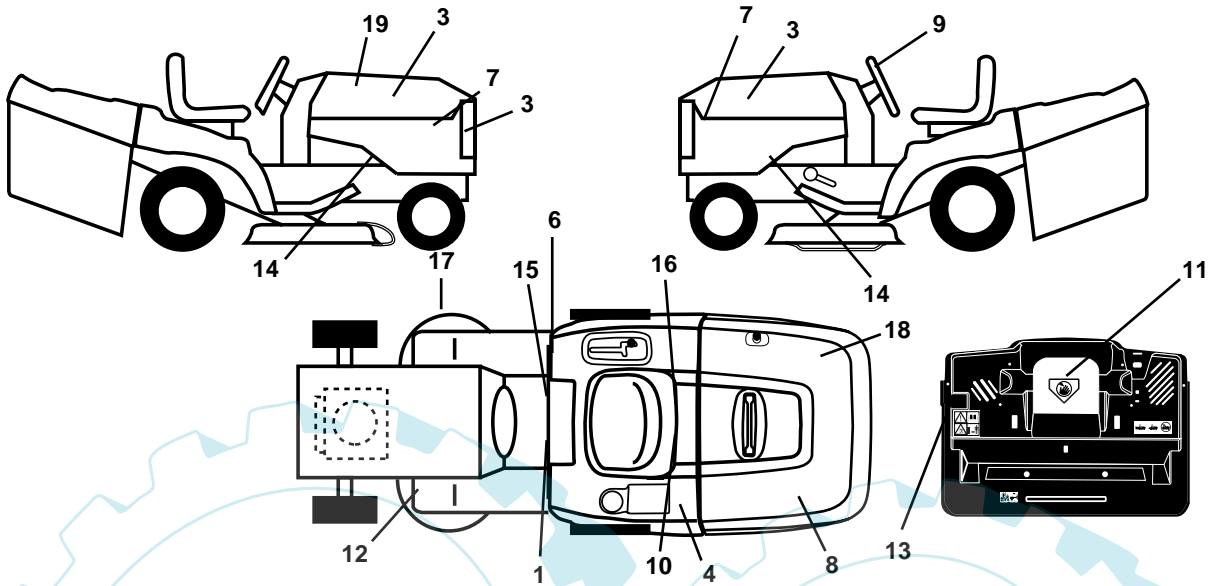
KEY NO.	PART NO.	DESCRIPTION
1	532 18 87-06	Seat
2	532 18 01-66	Bracket Pivot
3	871 11 06-16	Bolt Fin Hex 3/8-16 x 1
4	819 13 16-10	Washer flat 13/32 x 1 x 10 Ga.
5	532 14 50-06	Clip Push In Hinged
6	873 80 06-00	Nut Lock Hex 3/8-16 unc
7	532 12 41-81	Spring Seat Cprsn 2 250 Blk Zi
8	817 00 06-16	Screw 3/8-16 x 1-1/2
9	819 13 16-14	Washer 13/32 x 1 x 14 Ga
10	532 18 01-86	Pan Seat
11	532 16 63-69	Knob Seat Adj. Wingnut
12	532 12 12-46	Bracket Pnt Mounting Switch

KEY NO.	PART NO.	DESCRIPTION
13	532 12 12-48	Bushing Snap Blk Nyl 50 Id
14	872 05 04-12	Bolt Rdhd Sht Nk 1/4-20 x 1-1/2
15	532 12 12-49	Spacer Split 28 x 88 Zinc
16	532 12 37-40	Spring Cprsn
17	532 12 39-76	Nut Lock 1/4 Lge Flg Gr 5 Zinc
21	532 17 18-52	Bolt Shoulder 5/16-18 unc-2A
22	873 80 05-00	Nut Hex Lock w/Ins 5/16-18
24	819 17 19-12	Washer 17/32 x 1-3/16 x 12 Ga.

NOTE: All component dimensions given in U.S. inches.
1 inch = 25.4 mm

REPAIR PARTS

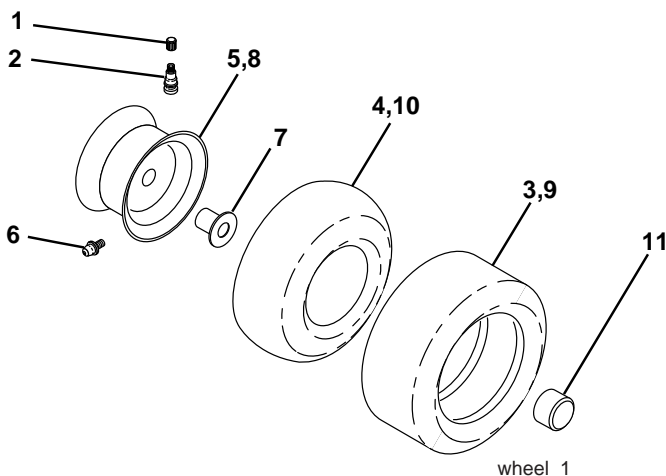
TRACTOR- -MODEL NO. LT2118CMA (J2118CMAB), PRODUCT NO. 954 13 02-17
DECALS



KEY NO.	PART NO.	DESCRIPTION
1	532 14 54-98	Decal, Read Owner's Manual Sym
3	532 18 95-53	Decal, Hood/Grille
4	532 18 39-30	Decal, Fender
6	532 18 04-32	Decal, 100 DBA/CE
7	532 18 88-76	Decal, Panel Side
8	532 18 39-31	Decal, Bagger
9	532 18 57-73	Decal, Ins Strg Whl
10	532 14 50-05	Decal, Bat Dan/Poi P/L Sym Wpn
11	532 18 21-66	Decal, Mower Cut Finger Symbol
12	532 15 97-37	Decal, Brake/Clutch Symbol Lt
13	532 18 04-35	Decal, Rear Plate CRD
14	532 15 97-36	Decal, Chassis Hot Muffler

KEY NO.	PART NO.	DESCRIPTION
15	532 14 08-37	Decal, Saddle Brake Parking
16	532 16 69-60	Decal, Bypass Fender CRD
17	532 16 62-86	Decal, Hex Belt Sch CRD
18	532 18 88-28	Decal, Fender
19	532 18 91-46	Decal, Replacement
—	532 18 26-21	Decal, Bagger Frame
—	532 16 69-60	Decal, By Pass
—	532 18 10-91	Pad Footrest LH
—	532 18 10-90	Pad Footrest RH
—	532 19 16-80	Manual Operator's (Euro)
—	532 19 16-81	Manual Operator's (Scan)

WHEELS & TIRES

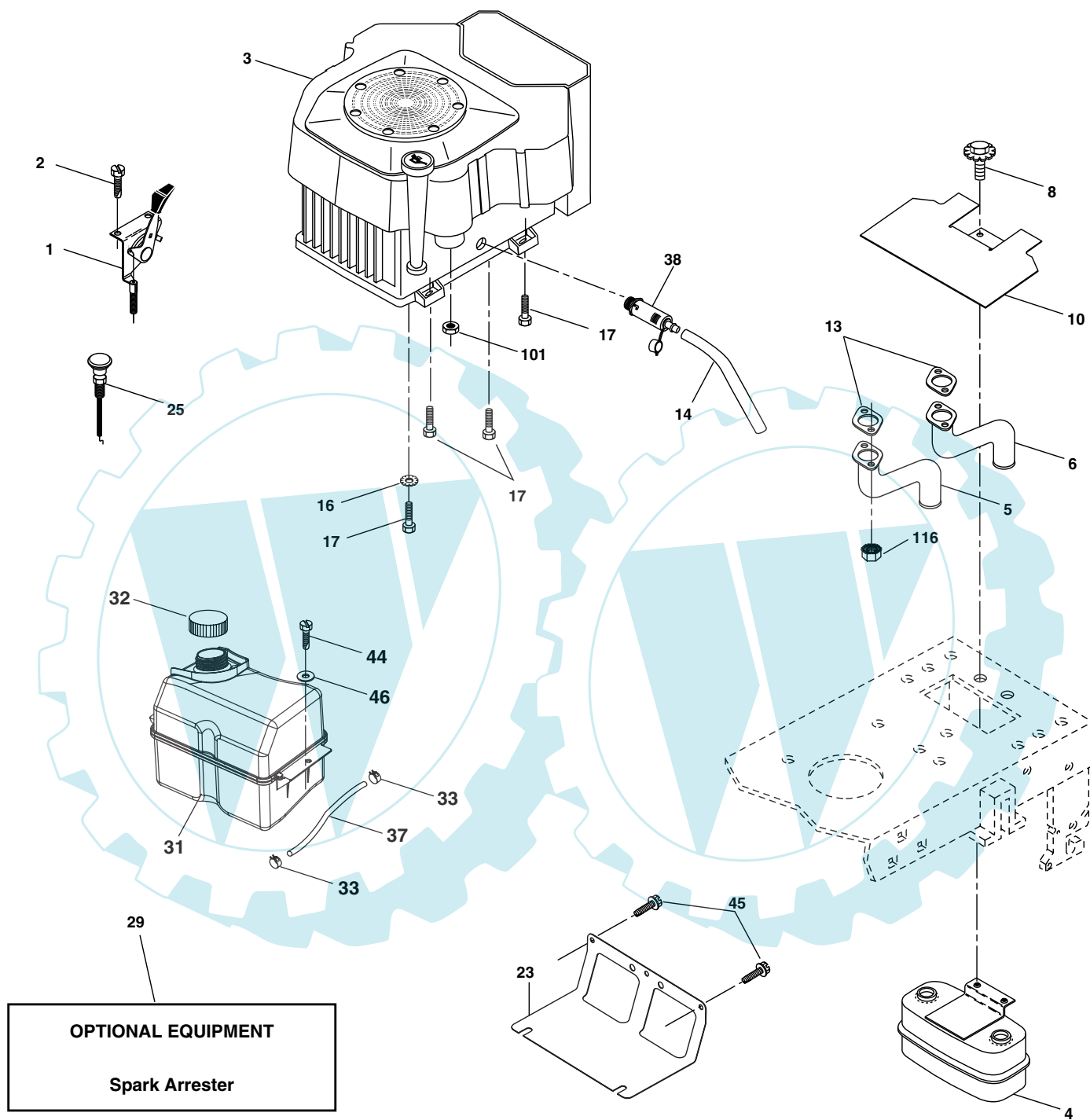


KEY NO.	PART NO.	DESCRIPTION
1	532 05 91-92	Cap Value Tire
2	532 06 51-39	Stem Value
3	532 10 62-22	Tire F Ts 15 x 6 0 - 6 Service
4	532 05 99-04	Tube Inner Front #35060
5	532 13 83-36	Rim Asm 6"front Silver Service
6	532 12 49-57	Fitting Grease
7	532 12 49-59	Bearing Flange
8	532 13 83-37	Rim Asm 8"rear Silver Service
9	532 12 20-82	Tire R Ts 20 x 10-8 Service
10	532 12 49-26	Tube Rear 9 5 x 8 Service
11	532 17 50-39	Cap Axle Blk 1 50 x 1 00
--	532 14 43-34	Sealant, Tire (10 oz. tube)

NOTE: All component dimensions given in U.S. inches
1 inch = 25.4 mm

REPAIR PARTS

TRACTOR- -MODEL NO. LT2118CMA (J2118CMAB), PRODUCT NO. 954 13 02-17
ENGINE



engine-ko.twin_16

REPAIR PARTS

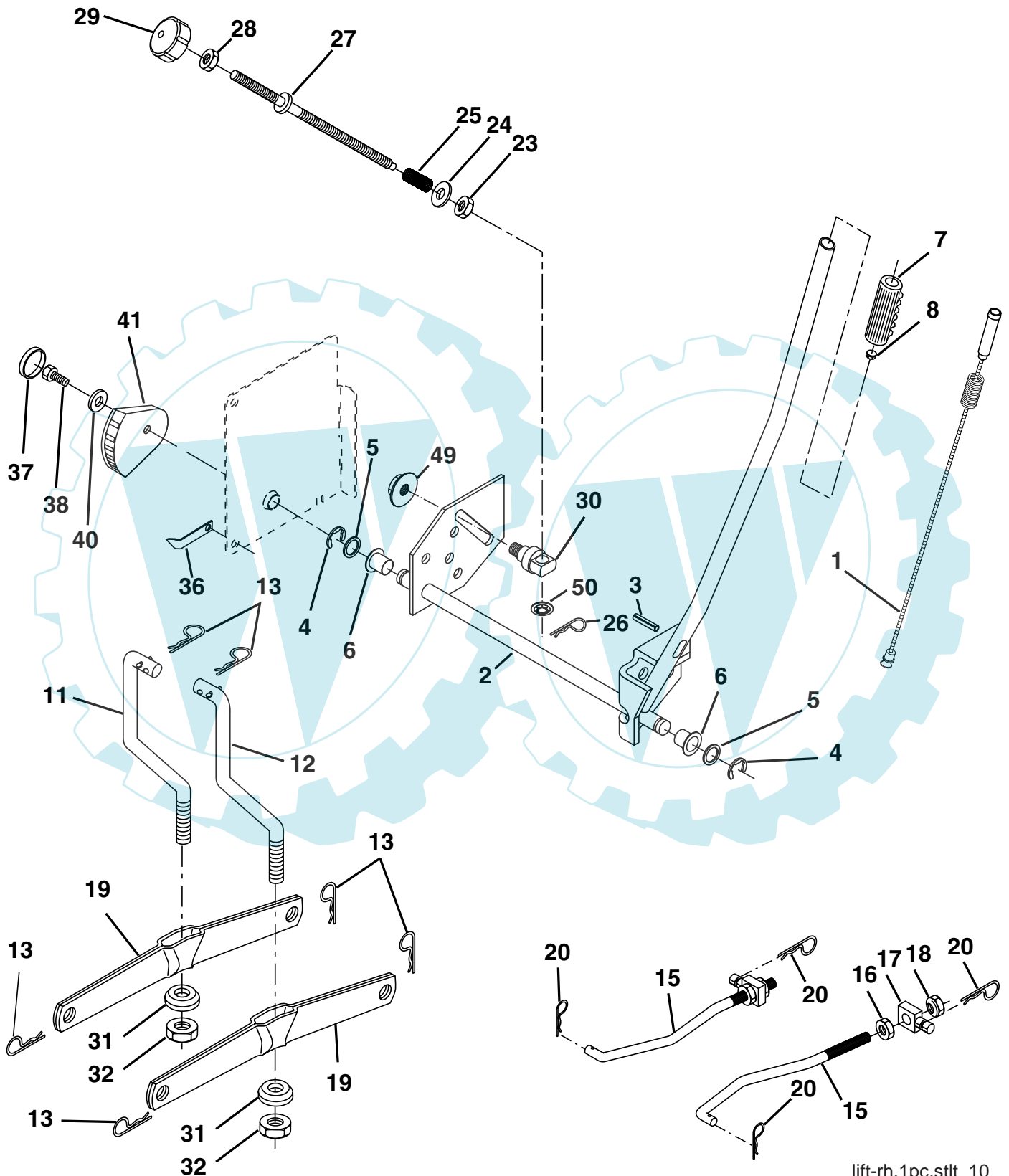
TRACTOR- -MODEL NO. LT2118CMA (J2118CMAB), PRODUCT NO. 954 13 02-17
ENGINE

KEY NO.	PART NO.	DESCRIPTION
1	532 17 81-47	Control Throttle
2	532 17 18-75	Screw Hi-Lo #13-16 x 3/4
3	-----	Engine Kohler CV18S (Order parts from engine manufacturer)
--	-----	Gasket Muffler (Order parts from engine manufacturer)
4	532 14 97-23	Muffler Twin Lo-Twin
5	532 14 66-99	Pipe Exhaust Lh
6	532 14 67-00	Pipe Exhaust Rh
8	532 17 18-77	Bolt 5/16-18 unc x 3/4 w/Sems
10	532 14 66-29	Shield Heat Muffler
14	532 14 84-56	Tube Drain Oil Easy
16	811 05 06-00	Washer Lock Ext Tooth 3/8
17	817 06 06-24	Screw, Thdrol 3/8-16 x 1-1/2 Tytt
23	532 16 98-37	Shield Brn/Dbt Guard
25	532 18 95-41	Choke Control
29	532 13 71-80	Kit Spark Arrestor (Flat Scrn)
31	532 18 33-61	Tank Fuel
32	532 14 05-27	Cap Asm Fuel W/sym Vented
33	532 12 34-87	Clamp Hose Blk
37	532 13 70-40	Line Fuel
38	532 18 16-54	Plug Drain Oil Easy
44	817 67 04-12	Screw Hexwsh Thdrol 1/4-20 x 3/4
45	817 00 06-12	Screw Hexwsh Thdrol 3/8-16 x 3/4
46	819 09 14-16	Washer 9/32 x 7/8 x 16 Ga.
101	532 16 33-05	Nut Flange M8-1.25 Non-LK
116	532 18 43-62	Nut Hex Flange Toplock M8-1.25

NOTE: All component dimensions given in U.S. inches
1 inch = 25.4 mm

REPAIR PARTS

TRACTOR- -MODEL NO. LT2118CMA (J2118CMAB), PRODUCT NO. 954 13 02-17
MOWER LIFT



lift-rh.1pc.stlt_10

REPAIR PARTS

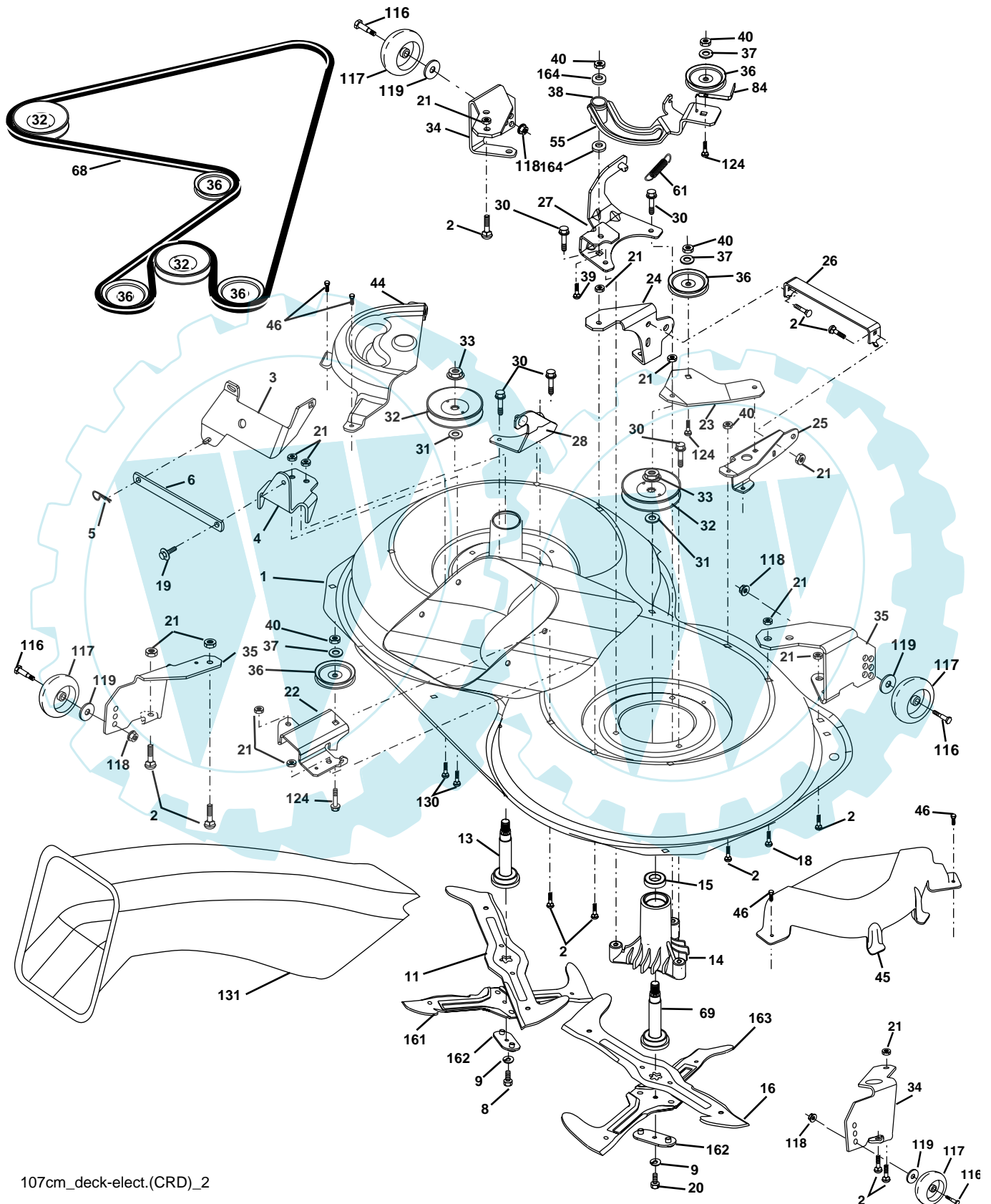
TRACTOR- -MODEL NO. LT2118CMA (J2118CMAB), PRODUCT NO. 954 13 02-17
MOWER LIFT

KEY NO.	PART NO.	DESCRIPTION
1	532 15 94-61	Washer Asm Inner Spring W/Plunger
2	532 15 94-76	Shaft Asm. Lift
3	532 18 88-22	Pin Groove
4	812 00 00-02	E Ring #5133-62
5	819 21 16-21	Washer 21/32 x 1 x 21 Ga.
6	532 12 01-83	Bearing Nylon
7	532 12 56-31	Grip Handle Fluted
8	532 12 45-26	Button Plunger Black
11	532 16 58-29	Link Asm Lift L.H.
12	532 16 58-31	Link Asm Lift R.H.
13	532 12 46-70	Retainer Spring
15	532 17 32-88	Link Front
16	873 35 08-00	Nut Jam Hex 1/2-13 unc
17	532 17 56-89	Trunnion Blk Zinc
18	873 80 08-00	Nut Lock W/Wsh 1/2-13 unc
19	532 13 98-68	Arm Suspension Mower
20	532 16 35-52	Retainer Spring
23	532 11 08-07	Nut Special
24	819 13 10-16	Washer 13/32 x 5/8 x 16 Ga.
25	532 13 71-50	Spring
26	532 16 94-84	Retainer Clip
27	532 13 71-67	Rod Adj Lift Zinc
28	873 35 06-00	Nut Hex Jam 3/8-16 unc
29	532 13 80-57	Knob Inf 3/8-16 unc Blk w/sym
30	532 15 02-33	Trunnion Infin Height
31	532 16 98-65	Bearing, Pvt. Lift.
32	873 54 06-00	Nut Crownlock 3/8-24
36	532 15 50-97	Pointer Height Indicator
37	532 12 39-35	Plug Hole Blk 1.485/1.515 Dia
38	817 06 05-16	Screw 5/16-18 x 1
40	819 11 24-10	Washer 11/32 x 1-1/2 x 10 Ga.
41	532 12 39-34	Scale Ind Height Blk
49	532 14 52-12	Nut hex Flange Lock
50	532 11 04-52	Nut Push Phos & Oil

NOTE: All component dimensions given in U.S. inches
1 inch = 25.4 mm

REPAIR PARTS

TRACTOR- -MODEL NO. LT2118CMA (J2118CMAB), PRODUCT NO. 954 13 02-17
MOWER



107cm_deck-elect.(CRD)_2

REPAIR PARTS

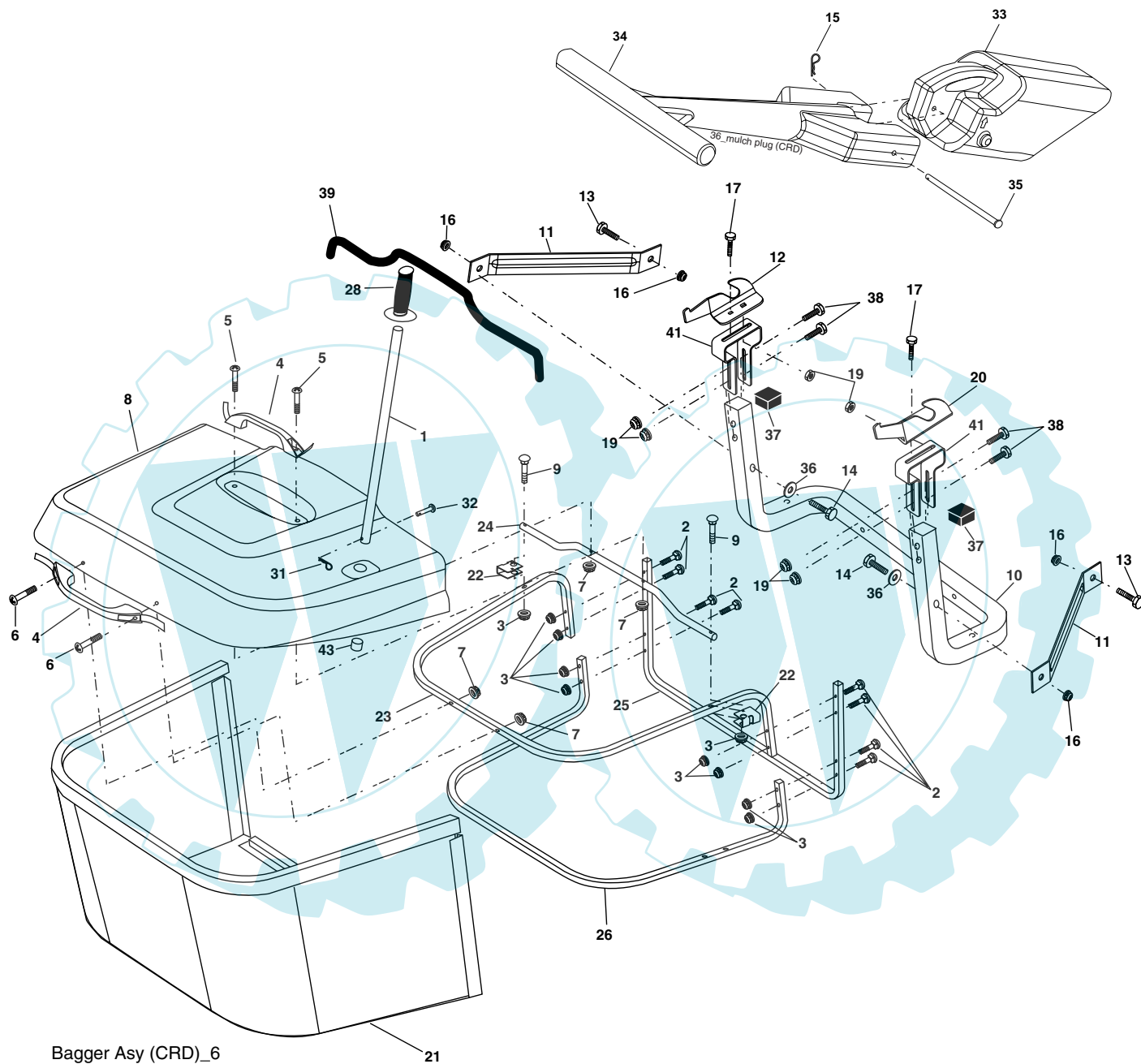
TRACTOR- -MODEL NO. LT2118CMA (J2118CMAB), PRODUCT NO. 954 13 02-17
MOWER

KEY NO.	PART NO.	DESCRIPTION	KEY NO.	PART NO.	DESCRIPTION
1	532 16 91-60	Housing Asm. Mower 107 CRD	37	819 13 13-16	Washer 11/32 x 13/16 x 16 Ga
2	872 14 05-06	Bolt Rdhd Sqnk 5/16-18 unc x 3/4	38	532 16 98-51	Spacer Hub Arm Idler 107 CRD
3	532 16 55-69	Bracket Asm. S-Bar Chass 92 CRD	39	872 11 06-22	Bolt Rdhd 3/8-16 Unc x 2-3/4 Gr. 5
4	532 16 91-67	Bracket Bar Sway Deck 107 CRD	40	873 68 06-00	Nut Crownlock 3/8-16 unc
5	532 12 46-70	Retainer Spring	44	532 17 55-38	Cover Mandrel Lh 107 CRD
6	532 16 55-57	Bar Sway CRD	45	532 17 55-39	Cover Mandrel Rh 107 CRD
8	532 18 17-12	Bolt 3/8-24 x 1.25 Gr8 Patched	46	532 13 77-29	Screw Thd Roll 1/4-20 x 5/8
9	810 03 06-00	Washer Lock Hvy 3/8 Unplated	55	532 16 98-49	Arm Idler 107 CRD
11	532 18 05-83	Blade 3-1 Lh 107 CRD	61	532 17 51-59	Spring Tension Belt
13	532 13 76-45	Shaft Asm. W/Lower Bearing	68	532 16 91-78	Hex-Belt 107 Mower
14	532 12 87-74	Housing Mandrel Vented (Machd)	69	532 16 54-82	Shaft Asm W/Lwr Brg Rh Thd CRD
15	532 11 04-85	Bearing Ball Mandrel	84	532 15 60-85	Keeper Belt Idler
16	532 18 05-84	Blade 3-1 Rh 107 CRD	116	532 18 42-19	Bolt Shoulder
18	872 11 06-06	Bolt RdHd Sqnk 3/8-16 x 3/4	117	532 13 39-57	Wheel Gage Donut Wide
19	532 13 28-27	Bolt Shoulder 5/16-18 Thd Form	118	873 93 06-00	Nut Centerlock 3/8-16 unc
20	532 18 17-13	Bolt 3/8-24 x 1.25 Gr.8 Ptch Lhthd	119	819 12 14-14	Washer 3/8 x 7/8 x 14 Ga.
21	873 68 05-00	Nut Crown Lock 5/16-18	124	872 11 06-12	Bolt Carr Sh 3/8-16 x 1-1/2 Gr5
22	532 16 91-65	Bracket Idler Sprt RR 107 CRD	130	872 11 05-06	Bolt Rdhdsqnk 5/16-18 unc x 3/4
23	532 16 91-66	Bracket Idler Sprt RF 107 CRD	131	532 16 56-61	Chute Bagger CRD 92cm
24	532 16 91-70	Bracket Suspension LF 107 CRD	161	532 18 04-24	Blade Cross LH 107
25	532 16 91-71	Bracket Suspension RF 107 CRD	162	532 18 08-78	Adapter Weldment Blade 107
26	532 16 52-37	Brace Support Susp Frt CRD	163	532 18 04-25	Blade Cross RH 107
27	532 16 91-72	Bracket Asm. Susp RR 107 CRD	164	532 12 49-37	Bearing Col. Strg.
28	532 16 91-68	Bracket Asm. Susp LR 107 CRD	--	532 18 18-57	Mandrel Asm Service
30	532 17 39-84	Screw Thd Rolling Hex	--	532 18 18-58	Mandrel Asm CRD Lh Threads SVC
31	532 18 76-90	Washer Spacer	--	532 18 17-70	Replacement Mower Complete
32	532 17 57-07	Mandrel Pulleys			
33	532 17 83-42	Nut Flg Top Lock			
34	532 17 95-09	Bracket Gauge Wheel LF/RR			
35	532 17 62-92	Bracket Gauge Wheel RF/LR			
36	532 14 67-63	Pulley Idler V-Groove Dim 4.25			

NOTE: All component dimensions given in U.S. inches
1 inch = 25.4 mm

REPAIR PARTS

TRACTOR- -MODEL NO. LT2118CMA (J2118CMAB), PRODUCT NO. 954 13 02-17
BAGGER



REPAIR PARTS

TRACTOR- -MODEL NO. LT2118CMA (J2118CMAB), PRODUCT NO. 954 13 02-17
BAGGER

KEY NO.	PART NO.	DESCRIPTION
1	532 16 52-49	Tube Handle Bagger CRD
2	872 14 04-16	Bolt Carriage 1/4-20 x 2.0 Gr.5
3	532 12 39-76	Nut Lock 1/4 Lge Flg Gr. 5 Zinc
4	532 16 99-16	Handle Bagger w/Lvrs Blk CRD
5	874 98 10-24	Screw Pan Head #10-24 x 1.50 Blk
6	874 98 10-32	Screw Pan Hd
7	873 40 10-00	Nut Wiz Lock Hex Serr/Hd 10-24
8	532 18 13-54	Cover Bagger
9	872 14 04-18	Bolt Carriage 1/4-20 x 2.25d x Gr.5
10	532 18 12-82	Tube Support Bagger CRD
11	532 16 57-19	Bracket Support Upper Bag CRD
12	532 18 88-48	Bracket Lh
13	872 11 06-06	Bolt Rdhd Sht Sqnk 3/8-16 x 3/4
14	874 52 06-36	Bolt Fin Hex 3/8-16 x 2-1/4 Gr.5
15	532 12 46-70	Retainer Spring
16	873 90 06-00	Nut Lock Flg 3/8-16 unc
17	872 14 05-06	Bolt Rdhd Sht Sqnk 5/16 -18 unc x 3/4
19	873 90 05-00	Nut Lock Hex Flange 5/16-18
20	532 18 88-47	Bracket Horiz Adj Bagger Rh
21	532 18 08-80	Bag Asm CRD
22	532 16 57-81	Bracket Side Bagger CRD
23	532 16 57-82	Tube Upper Bagger CRD
24	532 16 57-83	Tube Pivot Bagger CRD
25	532 18 01-24	Tube Front Bagger CRD
26	532 16 57-85	Tube Lower Bagger CRD
28	532 16 57-87	Grip Handle Black
31	532 16 94-84	Retainer Clip Dia. .290
32	532 12 68-75	Rivet Rd Hd Drilled 3/8 Dia
33	532 16 93-80	Plug Mulcher
34	532 16 55-70	Handle Mulcher
35	532 16 55-72	Pin Mulcher
36	819 13 20-16	Washer 13/32 x 1-1/4 x 16 Ga.
37	532 17 54-01	Plug Support Bagger CRD
38	872 01 05-20	Bolt 5/16-18 x 2-1/2
39	532 18 09-85	Seal Trim
41	532 16 96-83	Bracket Pnt Adj Pvt Bagger CRD
42	873 80 05-00	Nut Crownlock 5/16-18 Blk D
43	532 17 40-83	Plug Tubing End

NOTE: All component dimensions given in U.S. inches
1 inch = 25.4 mm